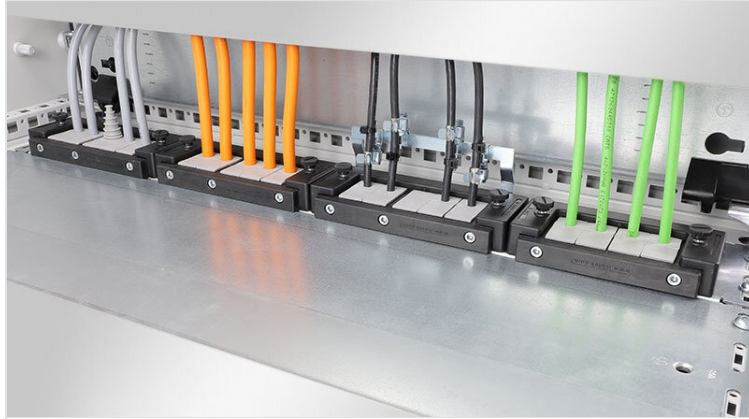


# KDR-ESR gland plates with slide frames

for Rittal, nVent Hoffman & Häwa enclosures / IP54



The KDR-ESR is a one-piece plate to be assembled on enclosure bases. Slide frames for the [KEL-U cable entry frames](#) are already pre-assembled. On some gland plate types [KEL-JUMBO cable entry frames](#) can be mounted as well.

After installing all cables into the KEL-U frames, they are easily and quickly inserted into the slide frames and fixed. During maintenance, the KEL-U frames are removed without tools from the slide frames. Due to the combination KDR-ESR and KEL-U cable entry frames, a rating of IP54 is achieved (with correct selection of cable grommets). Slide frames which are no longer required, are closed with [BPK-SNAP blank plates](#).

The extremely narrow (75 mm) gland plate KDRS-ESR-VX25 is assembled on enclosure base plates. This enables straight cable routing into the cable duct, without bending the cables. Thus, the cable duct can be set lower allowing more space for other components in the cabinet.

IP54

HL3  
EN 45545-2

RoHS  
compliant

REACH  
COMPLIANCE

Made in  
Germany

## Specifications

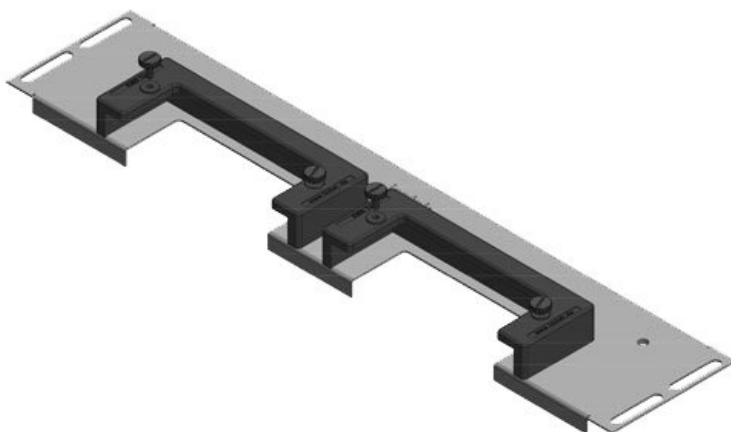
<b>IP rating (EN 60529)</b>	IP54
<b>Material</b>	Base plate: Steel, zinc plated ESR frame: Polyamide
<b>Flame class</b>	UL94-V0, self-extinguishing
<b>Operating temperature</b>	-40 C° to 90 C°
<b>Properties</b>	silicone free, halogen free
<b>Mounting options</b>	Screw type mounting

## Advantages & Benefits

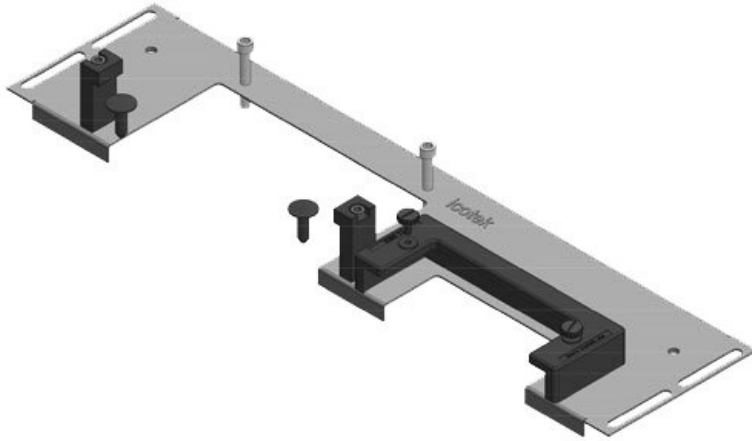
- Easy assembly and removal
- During assembly, almost the complete base of the enclosure can be used for installation of cables
- Even large connectors can be installed easily
- Subsequent assembly possible
- No additional sheet metal work required

## Product types & Sizes

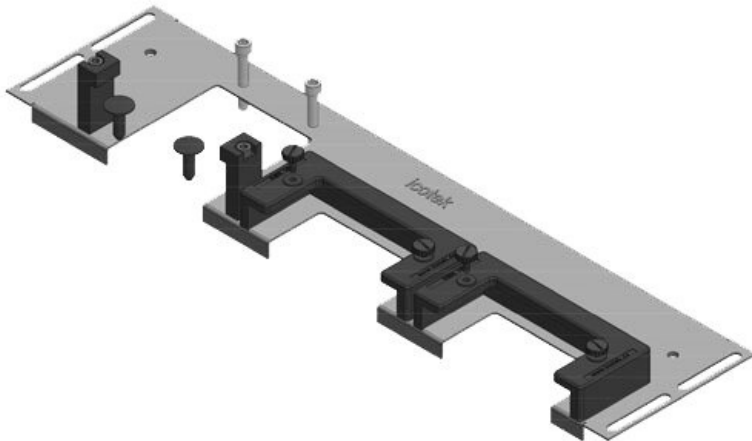
KDR-ESR-VX25-600-44500



Part No.	<b>44500</b>	Total length	<b>488 mm</b>
EAN	<b>4251269319754</b>	gland plate	
		For enclosure	<b>600 mm</b>
Package	<b>1</b>	width	
quantity		Sight size of	<b>452 mm</b>
Suitable for	<b>Rittal VX25</b>	base opening	
enclosure		Suitable for	<b>2 x KEL-U 24</b>
Length	<b>488 mm</b>	cable entry	<b>/ KEL-QUICK</b>
Width	<b>100 mm</b>	systems:	<b>24</b>
Height	<b>43 mm</b>		



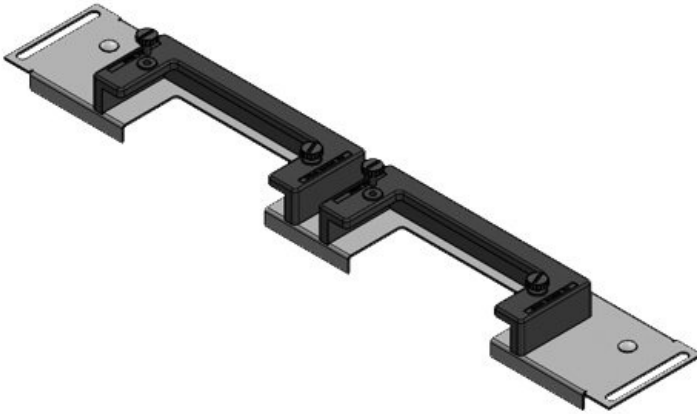
Part No.	<b>44501</b>	Total length	<b>488 mm</b>
EAN	<b>4251269319</b>	gland plate	
	<b>761</b>	For enclosure	<b>600 mm</b>
Package	<b>1</b>	width	
quantity		Sight size of	<b>452 mm</b>
Suitable for	<b>Rittal VX25</b>	base opening	
enclosure		Suitable for	<b>1 × KEL-U 24</b>
Length	<b>488 mm</b>	cable entry	<b>/ KEL-QUICK</b>
Width	<b>120 mm</b>	systems:	<b>24, 1 × KEL-</b>
Height	<b>57 mm</b>		<b>JUMBO 2</b>



Part No.	<b>44502</b>	Total length	<b>488 mm</b>
EAN	<b>4251269319</b>	gland plate	
	<b>778</b>	For enclosure	<b>600 mm</b>
Package	<b>1</b>	width	
quantity		Sight size of	<b>452 mm</b>
Suitable for	<b>Rittal VX25</b>	base opening	
enclosure		Suitable for	<b>2 × KEL-U 16</b>
Length	<b>488 mm</b>	cable entry	<b>/ KEL-QUICK</b>
Width	<b>120 mm</b>	systems:	<b>16, 1 × KEL-</b>
Height	<b>57 mm</b>		<b>JUMBO 1</b>

KDRS-ESR-VX25-600-44512

Part No.	<b>44512</b>	Total length	<b>488 mm</b>
EAN	<b>4251269321</b>	gland plate	
	<b>108</b>	For enclosure	<b>600 mm</b>
Package	<b>1</b>	width	
quantity		Sight size of	<b>452 mm</b>
Suitable for	<b>Rittal VX25</b>	base opening	
enclosure		Suitable for	<b>2 × KEL-U 24</b>
Length	<b>488 mm</b>	cable entry	<b>/ KEL-QUICK</b>
Width	<b>75 mm</b>	systems:	<b>24</b>
Height	<b>44 mm</b>		

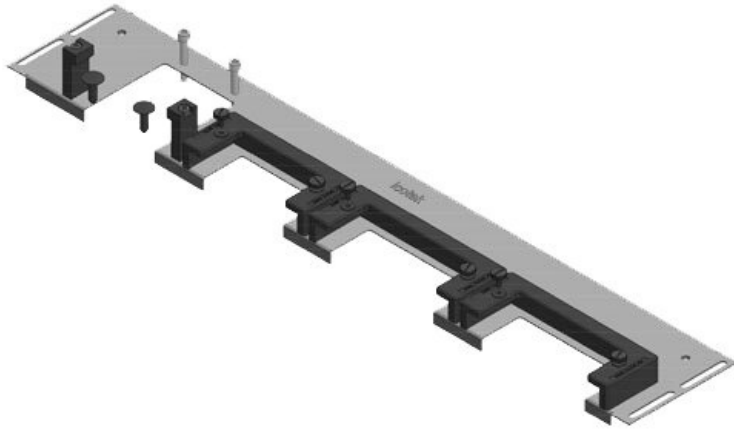


KDR-ESR-VX25-800-44503

Part No.	<b>44503</b>	Total length	<b>688 mm</b>
EAN	<b>4251269319</b>	gland plate	
	<b>785</b>	For enclosure	<b>800 mm</b>
Package	<b>1</b>	width	
quantity		Sight size of	<b>652 mm</b>
Suitable for	<b>Rittal VX25</b>	base opening	
enclosure		Suitable for	<b>3 × KEL-U 24</b>
Length	<b>688 mm</b>	cable entry	<b>/ KEL-QUICK</b>
Width	<b>100 mm</b>	systems:	<b>24, 1 × KEL-</b>
Height	<b>43 mm</b>		<b>U 16 / KEL-</b>
			<b>QUICK 16</b>

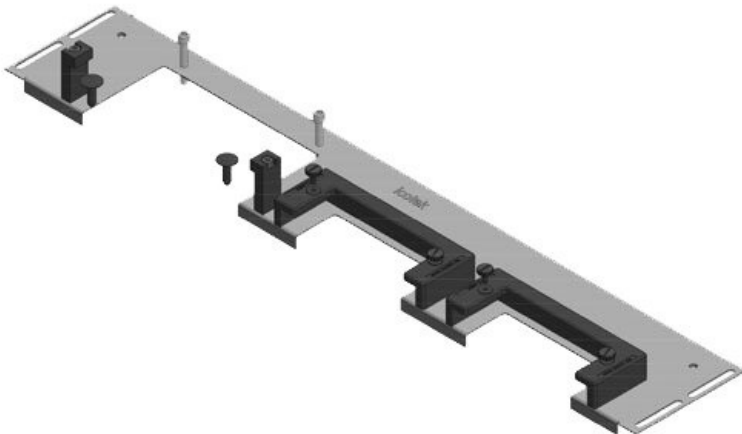


KDR-ESR-VX25-800-44504



Part No.	<b>44504</b>	Total length	<b>688 mm</b>
EAN	<b>4251269319792</b>	gland plate	
Package quantity	<b>1</b>	For enclosure width	<b>800 mm</b>
Suitable for enclosure	<b>Rittal VX25</b>	Sight size of base opening	<b>652 mm</b>
Length	<b>688 mm</b>	Suitable for cable entry systems:	<b>2 × KEL-U 24 / KEL-QUICK 24, 1 × KEL-U 16 / KEL-QUICK 16, 1 × KEL-JUMBO 1</b>
Width	<b>120 mm</b>		
Height	<b>57 mm</b>		

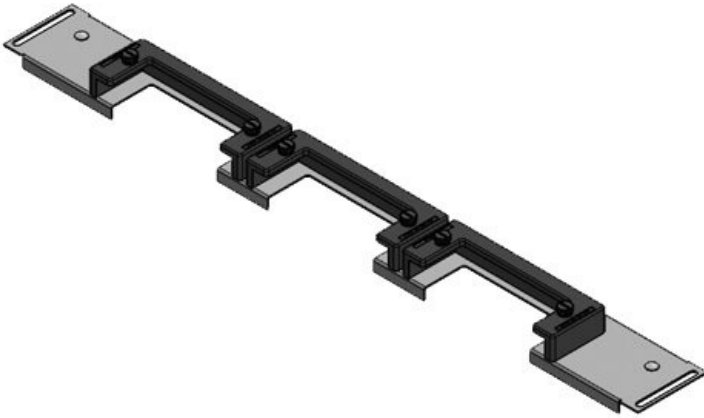
KDR-ESR-VX25-800-44505



Part No.	<b>44505</b>	Total length	<b>688 mm</b>
EAN	<b>4251269319808</b>	gland plate	
Package quantity	<b>1</b>	For enclosure width	<b>800 mm</b>
Suitable for enclosure	<b>Rittal VX25</b>	Sight size of base opening	<b>652 mm</b>
Length	<b>688 mm</b>	Suitable for cable entry systems:	<b>2 × KEL-U 24 / KEL-QUICK 24, 1 × KEL-JUMBO 2</b>
Width	<b>120 mm</b>		
Height	<b>57 mm</b>		

KDRS-ESR-VX25-800-44513

Part No.	<b>44513</b>	Total length	<b>688 mm</b>
EAN	<b>4251269321</b>	gland plate	
	<b>115</b>	For enclosure	<b>800 mm</b>
Package	<b>1</b>	width	
quantity		Sight size of	<b>652 mm</b>
Suitable for	<b>Rittal VX25</b>	base opening	
enclosure		Suitable for	<b>3 × KEL-U 24</b>
Length	<b>688 mm</b>	cable entry	<b>/ KEL-QUICK</b>
Width	<b>75 mm</b>	systems:	<b>24</b>
Height	<b>43 mm</b>		

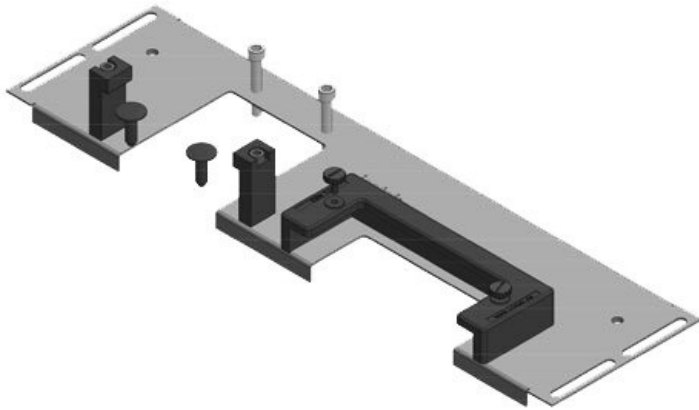


KDR-ESR-VX25-1000-44506

Part No.	<b>44506</b>	Total length	<b>438 mm</b>
EAN	<b>4251269319</b>	gland plate	
	<b>815</b>	For enclosure	<b>1.000 mm</b>
Package	<b>1</b>	width	
quantity		Sight size of	<b>402 mm</b>
Suitable for	<b>Rittal VX25</b>	base opening	
enclosure		Division bar	<b>yes</b>
Length	<b>438 mm</b>	Suitable for	<b>2 × KEL-U 24</b>
Width	<b>100 mm</b>	cable entry	<b>/ KEL-QUICK</b>
Height	<b>43 mm</b>	systems:	<b>24</b>

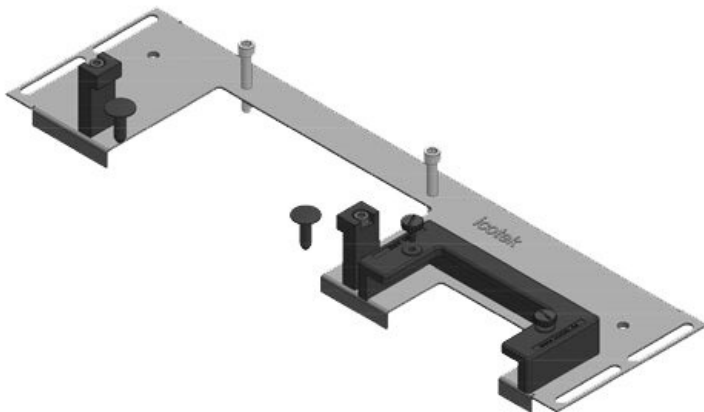


KDR-ESR-VX25-1000-44507



Part No.	<b>44507</b>	Total length	<b>438 mm</b>
EAN	<b>4251269319</b>	gland plate	
	<b>822</b>	For enclosure	<b>1.000 mm</b>
Package	<b>1</b>	width	
quantity		Sight size of	<b>402 mm</b>
Suitable for	<b>Rittal VX25</b>	base opening	
enclosure		Division bar	<b>yes</b>
Length	<b>438 mm</b>	Suitable for	<b>1 × KEL-U 24</b>
Width	<b>120 mm</b>	cable entry	<b>/ KEL-QUICK</b>
Height	<b>57 mm</b>	systems:	<b>24, 1 × KEL-</b>
			<b>JUMBO 1</b>

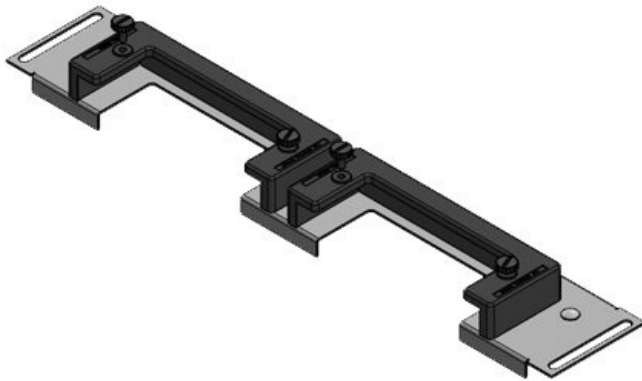
KDR-ESR-VX25-1000-44508



Part No.	<b>44508</b>	Total length	<b>438 mm</b>
EAN	<b>4251269319</b>	gland plate	
	<b>839</b>	For enclosure	<b>1.000 mm</b>
Package	<b>1</b>	width	
quantity		Sight size of	<b>402 mm</b>
Suitable for	<b>Rittal VX25</b>	base opening	
enclosure		Division bar	<b>yes</b>
Length	<b>438 mm</b>	Suitable for	<b>1 × KEL-U 16</b>
Width	<b>120 mm</b>	cable entry	<b>/ KEL-QUICK</b>
Height	<b>57 mm</b>	systems:	<b>16, 1 × KEL-</b>
			<b>JUMBO 2</b>

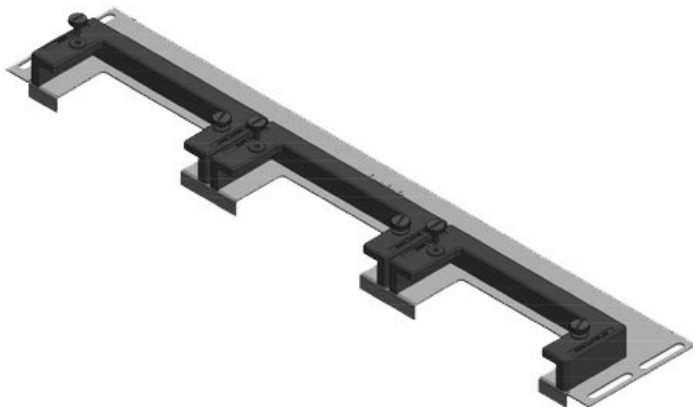
**KDRS-ESR-VX25-1000-44514**

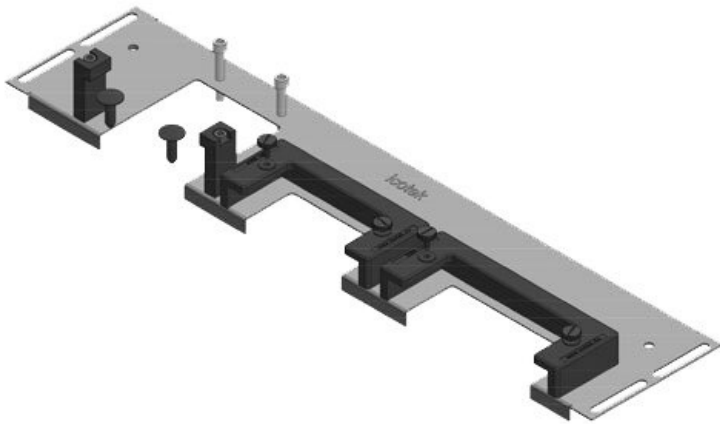
Part No.	<b>44514</b>	Total length	<b>438 mm</b>
EAN	<b>4251269321</b>	gland plate	
	<b>122</b>	For enclosure	<b>1.000 mm</b>
Package	<b>1</b>	width	
quantity		Sight size of	<b>402 mm</b>
Suitable for	<b>Rittal VX25</b>	base opening	
enclosure		Suitable for	<b>2 × KEL-U 24</b>
Length	<b>438 mm</b>	cable entry	<b>/ KEL-QUICK</b>
Width	<b>75 mm</b>	systems:	<b>24</b>
Height	<b>44 mm</b>		



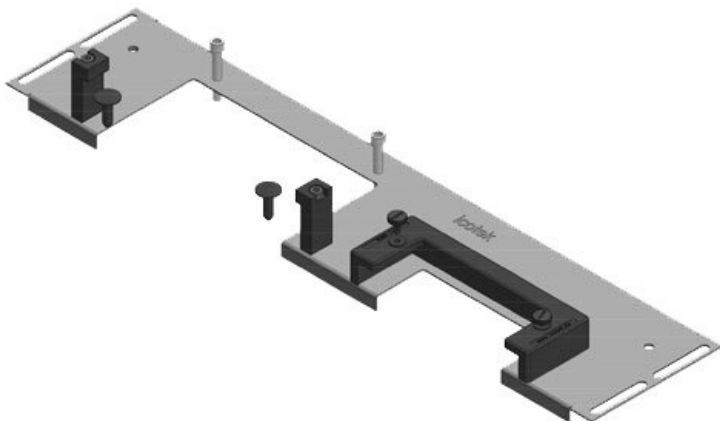
**KDR-ESR-VX25-1200-44509**

Part No.	<b>44509</b>	Total length	<b>538 mm</b>
EAN	<b>4251269319</b>	gland plate	
	<b>846</b>	For enclosure	<b>1.200 mm</b>
Package	<b>1</b>	width	
quantity		Sight size of	<b>502 mm</b>
Suitable for	<b>Rittal VX25</b>	base opening	
enclosure		Suitable for	<b>3 × KEL-U 24</b>
Length	<b>538 mm</b>	cable entry	<b>/ KEL-QUICK</b>
Width	<b>100 mm</b>	systems:	<b>24</b>
Height	<b>43 mm</b>		





Part No.	<b>44510</b>	Total length	<b>538 mm</b>
EAN	<b>4251269319</b>	gland plate	
	<b>853</b>	For enclosure	<b>1.200 mm</b>
Package	<b>1</b>	width	
quantity		Sight size of	<b>502 mm</b>
Suitable for	<b>Rittal VX25</b>	base opening	
enclosure		Suitable for	<b>1 × KEL-U 24</b>
Length	<b>538 mm</b>	cable entry	<b>/ KEL-QUICK</b>
Width	<b>120 mm</b>	systems:	<b>24, 1 × KEL-</b>
Height	<b>57 mm</b>		<b>U 16 / KEL-</b>
			<b>QUICK 16, 1</b>
			<b>× KEL-JUMBO</b>
			<b>1</b>

**KDR-ESR-VX25-1200-44511**


Part No.	<b>44511</b>	Total length	<b>538 mm</b>
EAN	<b>4251269319</b>	gland plate	
	<b>860</b>	For enclosure	<b>1.200 mm</b>
Package	<b>1</b>	width	
quantity		Sight size of	<b>502 mm</b>
Suitable for	<b>Rittal VX25</b>	base opening	
enclosure		Suitable for	<b>1 × KEL-U 24</b>
Length	<b>538 mm</b>	cable entry	<b>/ KEL-QUICK</b>
Width	<b>120 mm</b>	systems:	<b>24, 1 × KEL-</b>
Height	<b>57 mm</b>		<b>JUMBO 2</b>



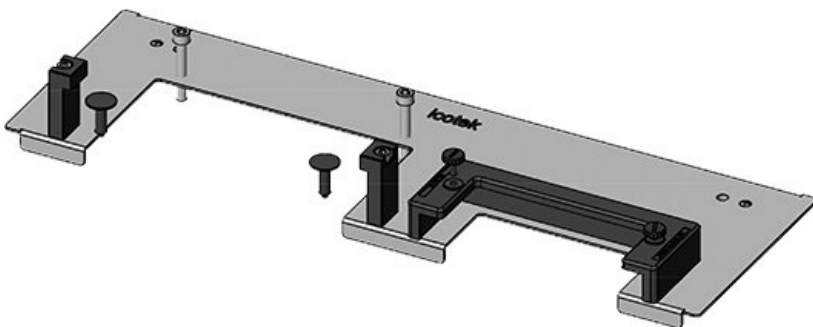
KDRS-ESR-VX25-1200-44515

Part No.	<b>44515</b>	Total length	<b>538 mm</b>
EAN	<b>4251269321</b>	gland plate	
	<b>139</b>	For enclosure	<b>1.200 mm</b>
Package	<b>1</b>	width	
quantity		Sight size of	<b>502 mm</b>
Suitable for	<b>Rittal VX25</b>	base opening	
enclosure		Suitable for	<b>3 × KEL-U 24</b>
Length	<b>538 mm</b>	cable entry	<b>/ KEL-QUICK</b>
Width	<b>75 mm</b>	systems:	<b>24</b>
Height	<b>44 mm</b>		

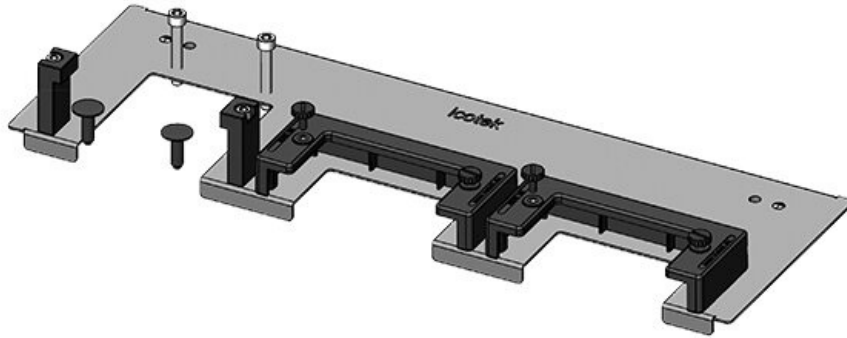


KDR-ESR-TS8-600-43070

Part No.	<b>43070</b>	Total length	<b>458 mm</b>
EAN	<b>4251269309</b>	gland plate	
	<b>519</b>	For enclosure	<b>600 mm</b>
Package	<b>1</b>	width	
quantity		Sight size of	<b>435 mm</b>
Suitable for	<b>Rittal TS 8</b>	base opening	
enclosure		Suitable for	<b>1 × KEL-U 24</b>
Length	<b>458 mm</b>	cable entry	<b>/ KEL-QUICK</b>
Width	<b>150 mm</b>	systems:	<b>24, 1 × KEL-</b>
Height	<b>57 mm</b>		<b>JUMBO 2</b>

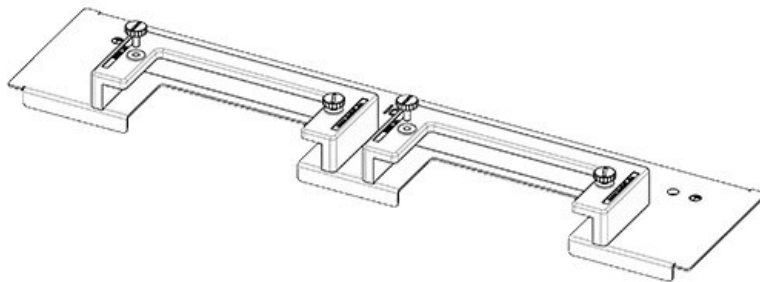


KDR-ESR-TS8-600-43071



Part No.	<b>43071</b>	Total length	<b>458 mm</b>
EAN	<b>4251269309</b>	gland plate	
	<b>526</b>	For enclosure	<b>600 mm</b>
Package	<b>1</b>	width	
quantity		Sight size of	<b>435 mm</b>
Suitable for	<b>Rittal TS 8</b>	base opening	
enclosure		Suitable for	<b>2 × KEL-U 16</b>
Length	<b>458 mm</b>	cable entry	<b>/ KEL-QUICK</b>
Width	<b>150 mm</b>	systems:	<b>16, 1 × KEL-</b>
Height	<b>57 mm</b>		<b>JUMBO 1</b>

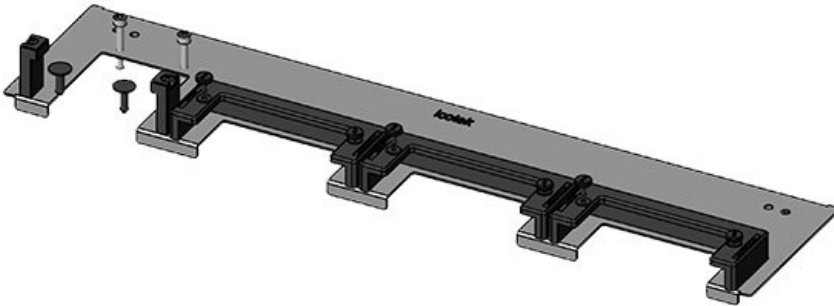
KDR-ESR-TS8-600-43079



Part No.	<b>43079</b>	Total length	<b>458 mm</b>
EAN	<b>4251269309</b>	gland plate	
	<b>601</b>	For enclosure	<b>600 mm</b>
Package	<b>1</b>	width	
quantity		Sight size of	<b>435 mm</b>
Suitable for	<b>Rittal TS 8</b>	base opening	
enclosure		Suitable for	<b>2 × KEL-U 24</b>
Length	<b>458 mm</b>	cable entry	<b>/ KEL-QUICK</b>
Width	<b>100 mm</b>	systems:	<b>24</b>
Height	<b>44 mm</b>		

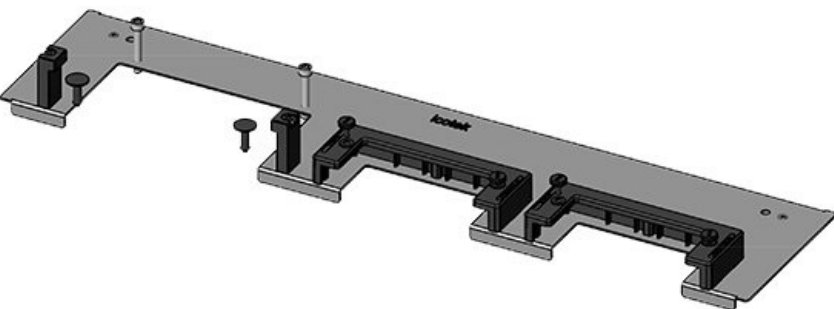
KDR-ESR-TS8-800-43072

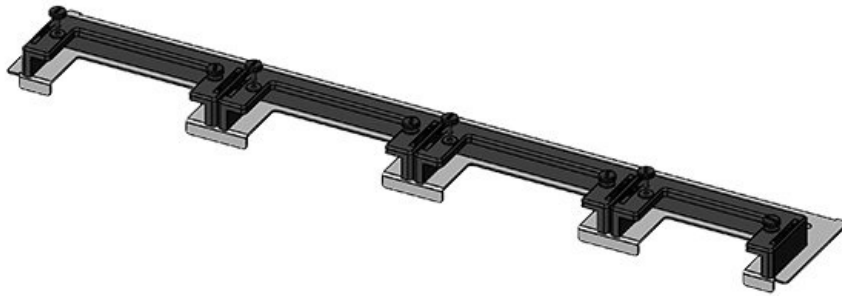
Part No.	<b>43072</b>	Total length	<b>658 mm</b>
EAN	<b>4251269309</b>	gland plate	
	<b>533</b>	For enclosure	<b>800 mm</b>
Package	<b>1</b>	width	
quantity		Sight size of	<b>635 mm</b>
Suitable for	<b>Rittal TS 8</b>	base opening	
enclosure		Suitable for	<b>3 × KEL-U 24</b>
Length	<b>658 mm</b>	cable entry	<b>/ KEL-QUICK</b>
Width	<b>150 mm</b>	systems:	<b>24, 1 × KEL-</b>
Height	<b>57 mm</b>		<b>JUMBO 1</b>



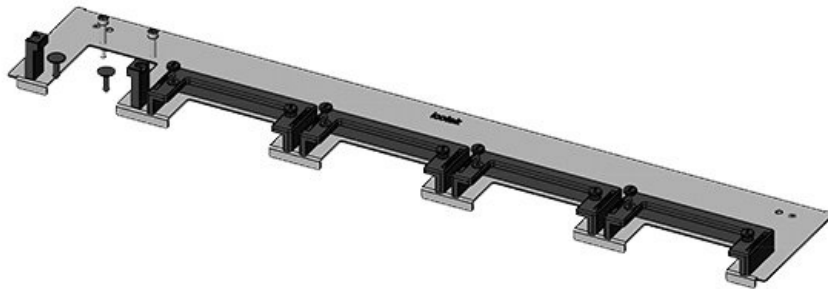
KDR-ESR-TS8-800-43073

Part No.	<b>43073</b>	Total length	<b>658 mm</b>
EAN	<b>4251269309</b>	gland plate	
	<b>540</b>	For enclosure	<b>800 mm</b>
Package	<b>1</b>	width	
quantity		Sight size of	<b>635 mm</b>
Suitable for	<b>Rittal TS 8</b>	base opening	
enclosure		Suitable for	<b>2 × KEL-U 24</b>
Length	<b>658 mm</b>	cable entry	<b>/ KEL-QUICK</b>
Width	<b>150 mm</b>	systems:	<b>24, 1 × KEL-</b>
Height	<b>57 mm</b>		<b>JUMBO 2</b>



**KDR-ESR-TS8-800-43080**

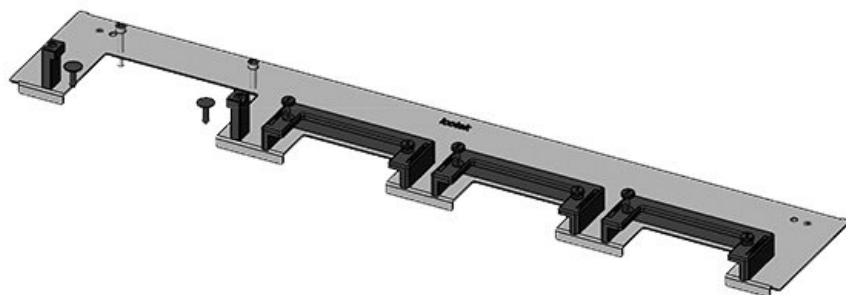
Part No.	<b>43080</b>	Total length	<b>658 mm</b>
EAN	<b>4251269309</b>	gland plate	
	<b>618</b>	For enclosure	<b>800 mm</b>
Package	<b>1</b>	width	
quantity		Sight size of	<b>635 mm</b>
Suitable for	<b>Rittal TS 8</b>	base opening	
enclosure		Suitable for	<b>3 × KEL-U 24</b>
Length	<b>658 mm</b>	cable entry	<b>/ KEL-QUICK</b>
Width	<b>100 mm</b>	systems:	<b>24, 1 × KEL-</b>
Height	<b>44 mm</b>		<b>U 16 / KEL-</b>
			<b>QUICK 16</b>

**KDR-ESR-TS8-1000-43074**

Part No.	<b>43074</b>	Total length	<b>858 mm</b>
EAN	<b>4251269309</b>	gland plate	
	<b>557</b>	For enclosure	<b>1.000 mm</b>
Package	<b>1</b>	width	
quantity		Sight size of	<b>835 mm</b>
Suitable for	<b>Rittal TS 8</b>	base opening	
enclosure		Division bar	<b>no</b>
Length	<b>858 mm</b>	Suitable for	<b>4 × KEL-U 24</b>
Width	<b>150 mm</b>	cable entry	<b>/ KEL-QUICK</b>
Height	<b>57 mm</b>	systems:	<b>24, 1 × KEL-</b>
			<b>JUMBO 1</b>

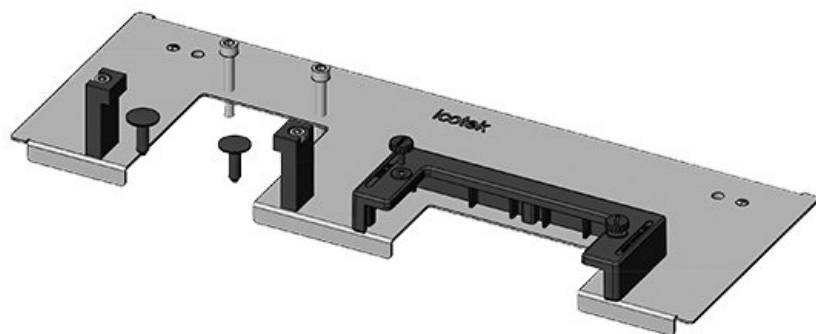
KDR-ESR-TS8-1000-43075

Part No.	<b>43075</b>	Total length	<b>858 mm</b>
EAN	<b>4251269309564</b>	gland plate	
Package quantity	<b>1</b>	For enclosure width	<b>1.000 mm</b>
Suitable for enclosure	<b>Rittal TS 8</b>	Sight size of base opening	<b>835 mm</b>
Length	<b>858 mm</b>	Division bar	<b>no</b>
Width	<b>150 mm</b>	Suitable for cable entry systems:	<b>3 × KEL-U 24 / KEL-QUICK 24, 1 × KEL-JUMBO 2</b>
Height	<b>57 mm</b>		

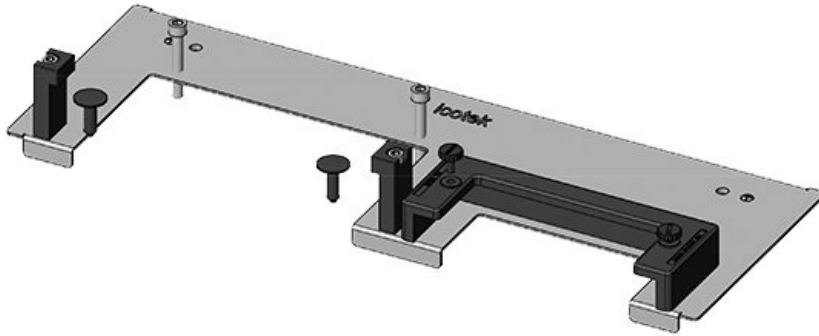


KDR-ESR-TS8-1000-43076

Part No.	<b>43076</b>	Total length	<b>420 mm</b>
EAN	<b>4251269309571</b>	gland plate	
Package quantity	<b>1</b>	For enclosure width	<b>1.000 mm</b>
Suitable for enclosure	<b>Rittal TS 8</b>	Sight size of base opening	<b>398 mm</b>
Length	<b>420 mm</b>	Division bar	<b>yes</b>
Width	<b>150 mm</b>	Suitable for cable entry systems:	<b>1 × KEL-U 24 / KEL-QUICK 24, 1 × KEL-JUMBO 1</b>
Height	<b>57 mm</b>		

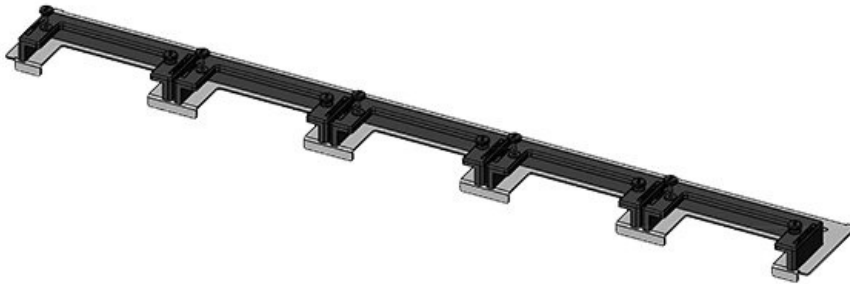


KDR-ESR-TS8-1000-43077



Part No.	<b>43077</b>	Total length	<b>420 mm</b>
EAN	<b>4251269309</b>	gland plate	
	<b>588</b>	For enclosure	<b>1.000 mm</b>
Package	<b>1</b>	width	
quantity		Sight size of	<b>398 mm</b>
Suitable for	<b>Rittal TS 8</b>	base opening	
enclosure		Division bar	<b>yes</b>
Length	<b>420 mm</b>	Suitable for	<b>1 × KEL-U 24</b>
Width	<b>150 mm</b>	cable entry	<b>/ KEL-QUICK</b>
Height	<b>57 mm</b>	systems:	<b>24, 1 × KEL-</b>
			<b>JUMBO 2</b>

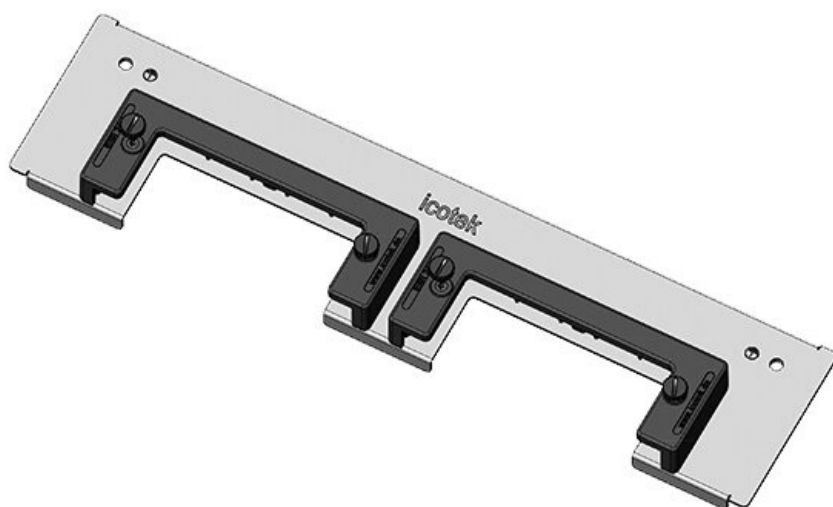
KDR-ESR-TS8-1000-43081



Part No.	<b>43081</b>	Total length	<b>858 mm</b>
EAN	<b>4251269309</b>	gland plate	
	<b>625</b>	For enclosure	<b>1.000 mm</b>
Package	<b>1</b>	width	
quantity		Sight size of	<b>835 mm</b>
Suitable for	<b>Rittal TS 8</b>	base opening	
enclosure		Division bar	<b>no</b>
Length	<b>858 mm</b>	Suitable for	<b>5 × KEL-U 24</b>
Width	<b>100 mm</b>	cable entry	<b>/ KEL-QUICK</b>
Height	<b>44 mm</b>	systems:	<b>24</b>

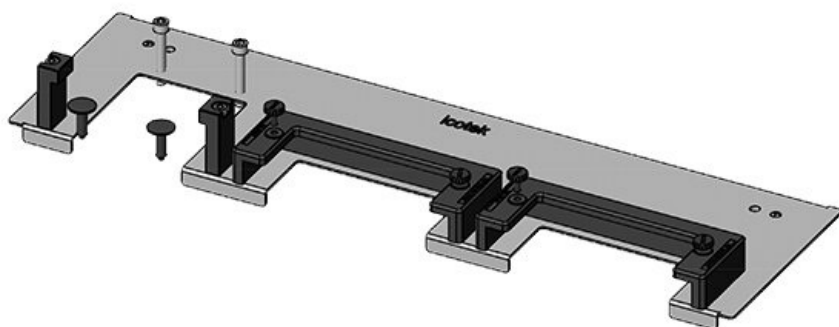
KDR-ESR-TS8-1000-43082

Part No.	<b>43082</b>	Total length	<b>420 mm</b>
EAN	<b>4251269309632</b>	gland plate	
Package quantity	<b>1</b>	For enclosure width	<b>1.000 mm</b>
Suitable for enclosure	<b>Rittal TS 8</b>	Sight size of base opening	<b>398 mm</b>
Length	<b>420 mm</b>	Division bar	<b>yes</b>
Width	<b>100 mm</b>	Suitable for cable entry systems:	<b>2 × KEL-U 24 / KEL-QUICK</b>
Height	<b>44 mm</b>		<b>24</b>

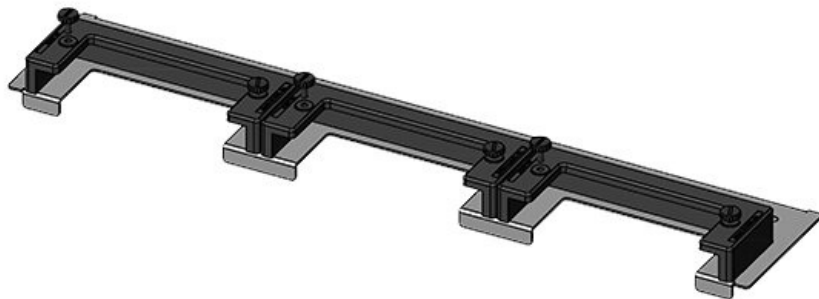


KDR-ESR-TS8-1200-43078

Part No.	<b>43078</b>	Total length	<b>518 mm</b>
EAN	<b>4251269309595</b>	gland plate	
Package quantity	<b>1</b>	For enclosure width	<b>1.200 mm</b>
Suitable for enclosure	<b>Rittal TS 8</b>	Sight size of base opening	<b>495 mm</b>
Length	<b>518 mm</b>	Suitable for cable entry systems:	<b>2 × KEL-U 24 / KEL-QUICK</b>
Width	<b>150 mm</b>		<b>24, 1 × KEL-JUMBO 1</b>
Height	<b>57 mm</b>		

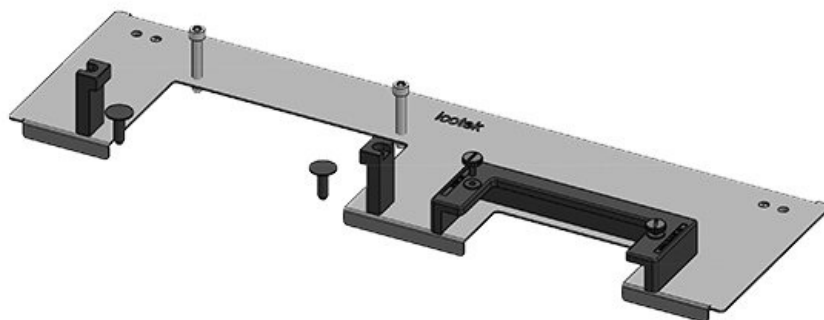


KDR-ESR-TS8-1200-43083



Part No.	<b>43083</b>	Total length	<b>518 mm</b>
EAN	<b>4251269309649</b>	gland plate	
Package quantity	<b>1</b>	For enclosure width	<b>1.200 mm</b>
Suitable for enclosure	<b>Rittal TS 8</b>	Sight size of base opening	<b>495 mm</b>
Length	<b>518 mm</b>	Suitable for cable entry systems:	<b>3 × KEL-U 24 / KEL-QUICK</b>
Width	<b>100 mm</b>		<b>24</b>
Height	<b>44 mm</b>		

KDR-ESR-TS8-1200-43084

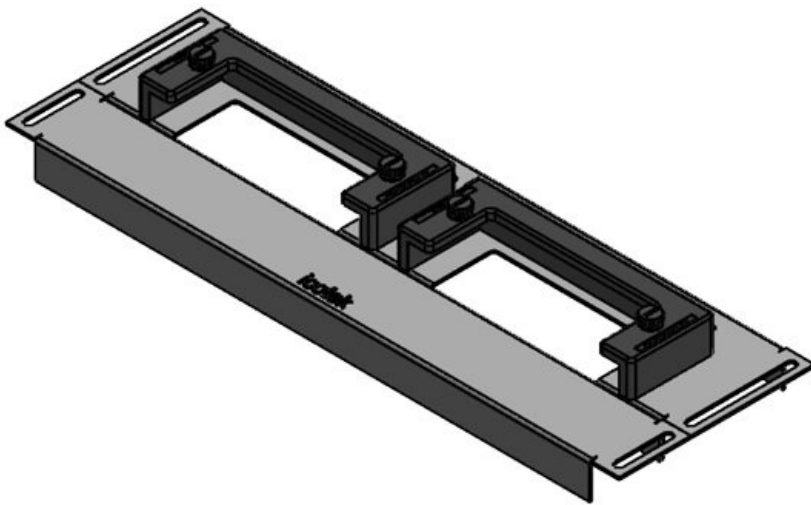


Part No.	<b>43084</b>	Total length	<b>518 mm</b>
EAN	<b>4251269309656</b>	gland plate	
Package quantity	<b>1</b>	For enclosure width	<b>1.200 mm</b>
Suitable for enclosure	<b>Rittal TS 8</b>	Sight size of base opening	<b>495 mm</b>
Length	<b>518 mm</b>	Suitable for cable entry systems:	<b>1 × KEL-U 24 / KEL-QUICK</b>
Width	<b>150 mm</b>		<b>24, 1 × KEL-JUMBO 2</b>
Height	<b>57 mm</b>		



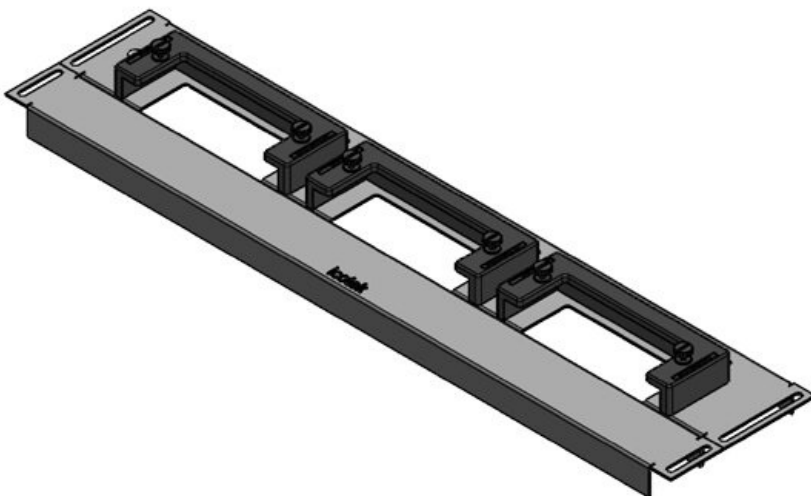
**KDR-ESR-HW-600 + blank sheet**

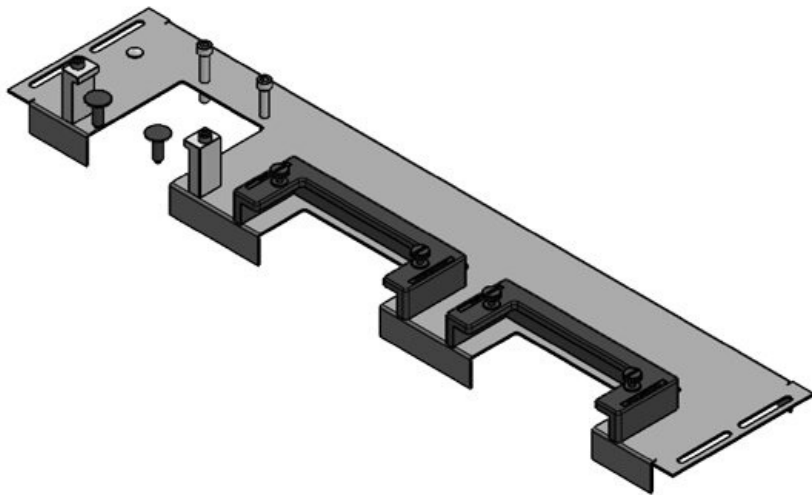
Part No.	<b>44520</b>	Total length	<b>427 mm</b>
EAN	<b>4251269324</b>	gland plate	
	<b>543</b>	For enclosure	<b>600 mm</b>
Package	<b>1</b>	width	
quantity		Sight size of	<b>392 mm</b>
Suitable for	<b>Häwa H390 /</b>	base opening	
enclosure	<b>H395</b>	Suitable for	<b>2 × KEL-U 24</b>
Length	<b>427 mm</b>	cable entry	<b>/ KEL-QUICK</b>
Width	<b>136 mm</b>	systems:	<b>24</b>
Height	<b>56 mm</b>		



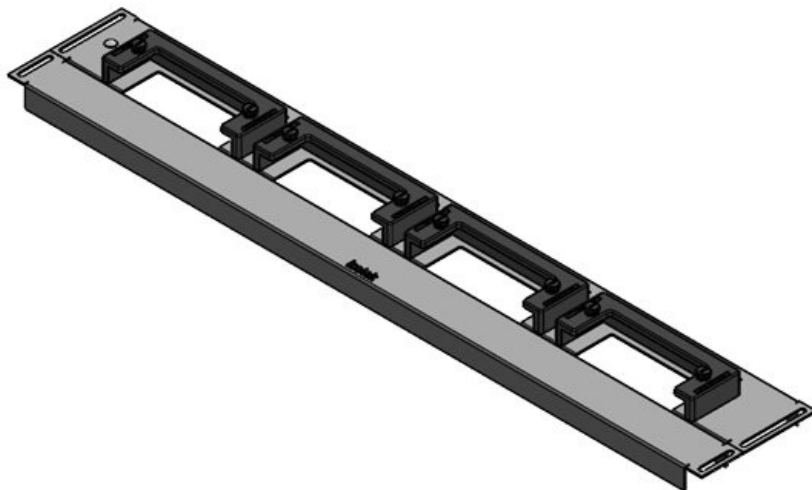
**KDR-ESR-HW-800 + blank sheet**

Part No.	<b>44521</b>	Total length	<b>627 mm</b>
EAN	<b>4251269324</b>	gland plate	
	<b>550</b>	For enclosure	<b>800 mm</b>
Package	<b>1</b>	width	
quantity		Sight size of	<b>592 mm</b>
Suitable for	<b>Häwa H390 /</b>	base opening	
enclosure	<b>H395</b>	Suitable for	<b>3 × KEL-U 24</b>
Length	<b>627 mm</b>	cable entry	<b>/ KEL-QUICK</b>
Width	<b>136 mm</b>	systems:	<b>24</b>
Height	<b>59 mm</b>		



**KDR-ESR-HW-800**

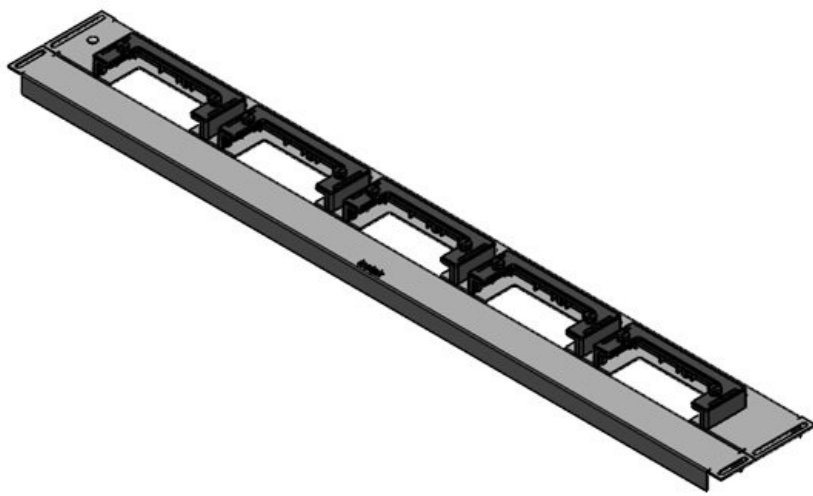
Part No.	<b>44522</b>	Total length	<b>627 mm</b>
EAN	<b>4251269324</b>	gland plate	
	<b>567</b>	For enclosure	<b>800 mm</b>
Package	<b>1</b>	width	
quantity		Sight size of	<b>592 mm</b>
Suitable for	<b>Häwa H390 /</b>	base opening	
enclosure	<b>H395</b>	Suitable for	<b>2 × KEL-U 24</b>
Length	<b>627 mm</b>	cable entry	<b>/ KEL-QUICK</b>
Width	<b>133 mm</b>	systems:	<b>24, 1 × KEL-</b>
Height	<b>70 mm</b>		<b>JUMBO 1</b>

**KDR-ESR-HW-1000 + blank sheet**

Part No.	<b>44523</b>	Total length	<b>827 mm</b>
EAN	<b>4251269324</b>	gland plate	
	<b>574</b>	For enclosure	<b>1.000 mm</b>
Package	<b>1</b>	width	
quantity		Sight size of	<b>792 mm</b>
Suitable for	<b>Häwa H390 /</b>	base opening	
enclosure	<b>H395</b>	Suitable for	<b>4 × KEL-U 24</b>
Length	<b>827 mm</b>	cable entry	<b>/ KEL-QUICK</b>
Width	<b>136 mm</b>	systems:	<b>24</b>
Height	<b>56 mm</b>		

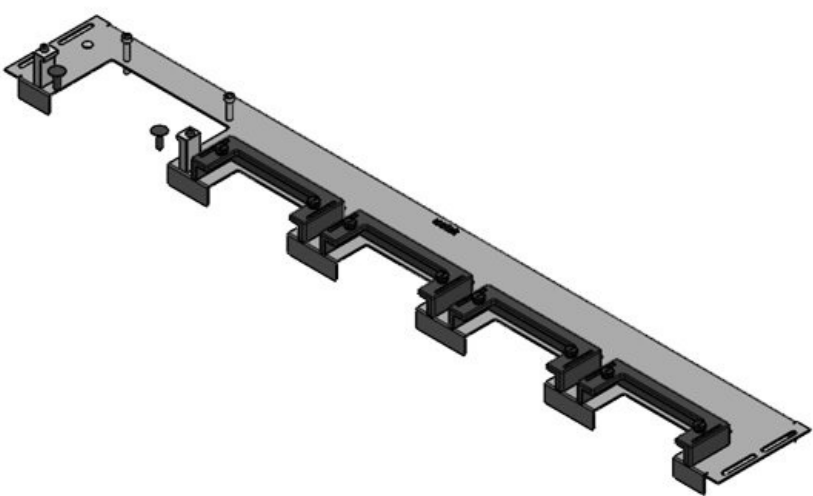
**KDR-ESR-HW-1200 + blank sheet**

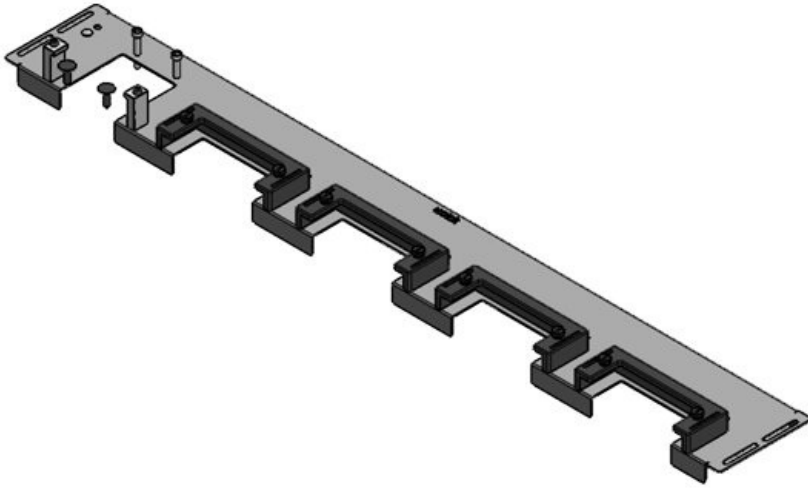
Part No.	<b>44524</b>	Total length	<b>1.027 mm</b>
EAN	<b>4251269324</b>	gland plate	
	<b>581</b>	For enclosure width	<b>1.200 mm</b>
Package quantity	<b>1</b>	Sight size of base opening	<b>992 mm</b>
Suitable for enclosure	<b>Häwa H390 / H395</b>	Suitable for cable entry systems:	<b>5 × KEL-U 24 / KEL-QUICK 24</b>
Length	<b>1.027 mm</b>		
Width	<b>136 mm</b>		
Height	<b>56 mm</b>		



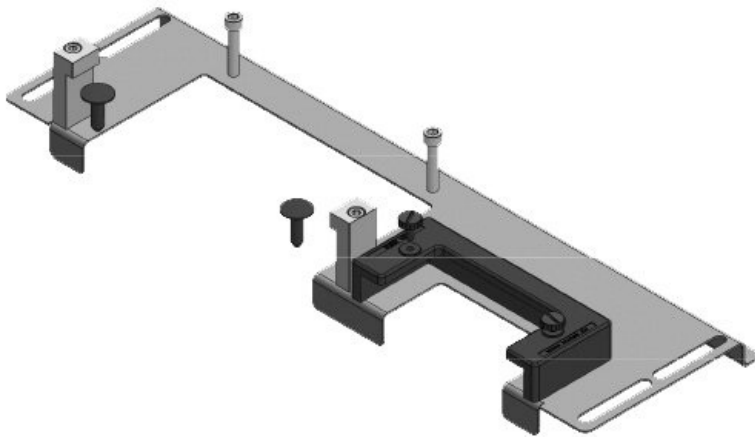
**KDR-ESR-HW-1200-1**

Part No.	<b>44526</b>	Total length	<b>1.027 mm</b>
EAN	<b>4251269324</b>	gland plate	
	<b>604</b>	For enclosure width	<b>1.200 mm</b>
Package quantity	<b>1</b>	Sight size of base opening	<b>992 mm</b>
Suitable for enclosure	<b>Häwa H390 / H395</b>	Suitable for cable entry systems:	<b>4 × KEL-U 24 / KEL-QUICK 24, 1 × KEL-JUMBO 1</b>
Length	<b>1.027 mm</b>		
Width	<b>133 mm</b>		
Height	<b>70 mm</b>		





Part No.	<b>44525</b>	Total length	<b>1.027 mm</b>
EAN	<b>4251269324</b>	gland plate	
	<b>598</b>	For enclosure	<b>1.200 mm</b>
Package	<b>1</b>	width	
quantity		Sight size of	<b>992 mm</b>
Suitable for	<b>Häwa H390 /</b>	base opening	
enclosure	<b>H395</b>	Suitable for	<b>4 × KEL-U 24</b>
Length	<b>1.027 mm</b>	cable entry	<b>/ KEL-QUICK</b>
Width	<b>133 mm</b>	systems:	<b>24, 1 × KEL-</b>
Height	<b>70 mm</b>		<b>JUMBO 2</b>



Part No.	<b>43250</b>	Total length	<b>432 mm</b>
EAN	<b>4251269317</b>	gland plate	
	<b>033</b>	For enclosure	<b>600 mm</b>
Package	<b>1</b>	width	
quantity		Sight size of	<b>368 mm</b>
Suitable for	<b>nVent</b>	base opening	
enclosure	<b>Hoffman</b>	Suitable for	<b>1 × KEL-U 16</b>
	<b>PROLINE G2</b>	cable entry	<b>/ KEL-QUICK</b>
Length	<b>432 mm</b>	systems:	<b>16, 1 × KEL-</b>
Width	<b>131,5 mm</b>		<b>JUMBO 2</b>
Height	<b>62,3 mm</b>		

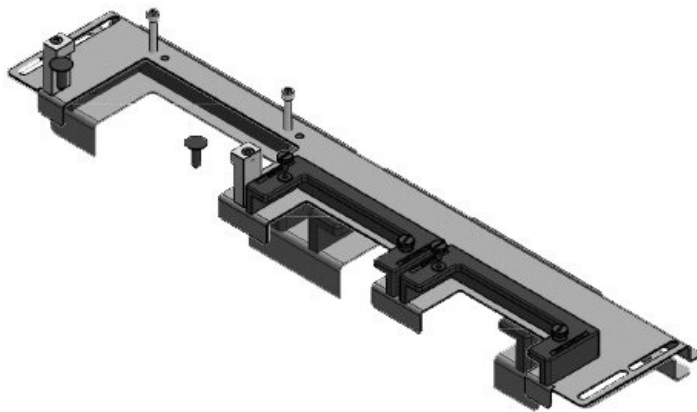
KDR-ESR-HG2-600-43251

Part No.	<b>43251</b>	Total length	<b>432 mm</b>
EAN	<b>4251269317040</b>	gland plate	
Package quantity	<b>1</b>	For enclosure width	<b>600 mm</b>
Suitable for enclosure	<b>nVent Hoffman PROLINE G2</b>	Sight size of base opening	<b>368 mm</b>
Length	<b>432 mm</b>	Suitable for cable entry systems:	<b>2 × KEL-U 24 / KEL-QUICK 24</b>
Width	<b>81 mm</b>		
Height	<b>52,8 mm</b>		



KDR-ESR-HG2-800-43252

Part No.	<b>43252</b>	Total length	<b>632 mm</b>
EAN	<b>4251269317057</b>	gland plate	
Package quantity	<b>1</b>	For enclosure width	<b>800 mm</b>
Suitable for enclosure	<b>nVent Hoffman PROLINE G2</b>	Sight size of base opening	<b>568 mm</b>
Length	<b>632 mm</b>	Suitable for cable entry systems:	<b>2 × KEL-U 24 / KEL-QUICK 24, 1 × KEL-JUMBO 2</b>
Width	<b>131,5 mm</b>		
Height	<b>45 mm</b>		

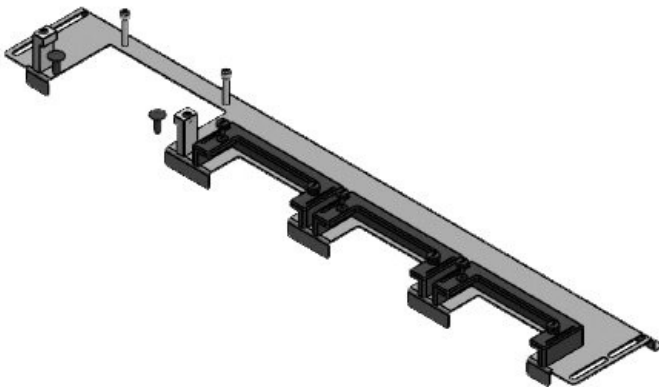


KDR-ESR-HG2-800-43253



Part No.	<b>43253</b>	Total length	<b>632 mm</b>
EAN	<b>4251269317064</b>	gland plate	
Package quantity	<b>1</b>	For enclosure width	<b>800 mm</b>
Suitable for enclosure	<b>nVent Hoffman PROLINE G2</b>	Sight size of base opening	<b>568 mm</b>
Length	<b>632 mm</b>	Suitable for cable entry systems:	<b>3 × KEL-U 24 / KEL-QUICK 24</b>
Width	<b>81 mm</b>		
Height	<b>52,8 mm</b>		

KDR-ESR-HG2-1000-43254



Part No.	<b>43254</b>	Total length	<b>832 mm</b>
EAN	<b>4251269317071</b>	gland plate	
Package quantity	<b>1</b>	For enclosure width	<b>1.000 mm</b>
Suitable for enclosure	<b>nVent Hoffman PROLINE G2</b>	Sight size of base opening	<b>768 mm</b>
Length	<b>832 mm</b>	Suitable for cable entry systems:	<b>3 × KEL-U 24 / KEL-QUICK 24, 1 × KEL-JUMBO 2</b>
Width	<b>131,5 mm</b>		
Height	<b>41,3 mm</b>		

Part No.	<b>43255</b>	Total length	<b>832 mm</b>
EAN	<b>4251269317088</b>	gland plate	
Package quantity	<b>1</b>	For enclosure width	<b>1.000 mm</b>
Suitable for enclosure	<b>nVent Hoffman PROLINE G2</b>	Sight size of base opening	<b>768 mm</b>
Length	<b>832 mm</b>	Suitable for cable entry systems:	<b>4 x KEL-U 24 / KEL-QUICK 24</b>
Width	<b>81 mm</b>		
Height	<b>52,8 mm</b>		

